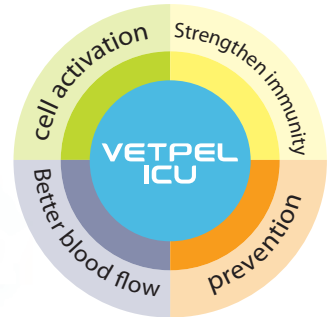




Which animal hospital would you choose?

Specialized intensive care units designed for optimum comfort, care and control.



VETPEL.ICU

NEW EDITION



VETPEL.ICU

Intensive Care Unit

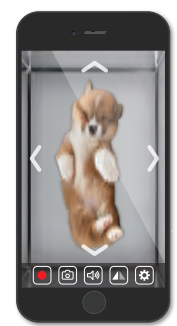


WORLD CLASS PRODUCT OF KOREA

세계일류상품



IP Camera



▲ UX-U900

North America Sales and Services
www.RcomCo.com

MAIN FUNCTIONS

- ▷ Exterior design and GUI, providing stability and confidence
- ▷ Reflects veterinarian's opinions taken at the product concept, leading to optimized design for actual medical situations
- ▷ Large, touch-screen LCD
- ▷ Automatic control and settings for Temperature, Humidity, Carbon Dioxide
- ▷ Floor Cooling System (UX-U900 model)
- ▷ Control and setting of CO2 concentration (UX-U900 model)
- ▷ Stainless material, easy to sterilize for effective sanitation management
- ▷ AI(Artificial Intelligence) electronic controller which can automatically control adjusting cycle depending on ambient environment of the machine
- ▷ Auto Ventilation function to raise oxygen saturation
- ▷ Auto Ventilation function to lower carbon dioxide concentration
- ▷ Double insulated structure and ability to distinguish bottom temperature from air temperature, which makes the machine's inside temperature more accurate
- ▷ Transparent tempered glass window to easily check the condition of the pet

EASY FUNCTIONS

- ▷ Treatment time settings and alarm function
- ▷ LED indoor lamp, IR lamp and UVC(Preventing Spread of Viruses) lamp
- ▷ Quick button on the home screen for easy control of three kinds of lamp, fan and Timer functions
- ▷ Modular assembly for easy repair and replacement of parts
- ▷ Hand access to enable pet treatment without opening the window
- ▷ Built-in outlet to power external devices
- ▷ Stand Pole to easily install various devices
- ▷ GUI with enhanced stability and confidence, providing multi language(English, German, Spanish, Portuguese, Russian, Korean, Chinese, Japanese, Arabic)

OTHER FUNCTIONS

- ▷ IP camera function (UX-U900 model) for real-time internal video viewing on mobile and smart phone
- ▷ BLDC Fan is embedded in the incubator to control indoor-environment
- ▷ Independent humidity system, which is easy to use and manage
- ▷ Built in Alarm function in case of machine failure(abnormal high temperature, abnormal high concentration of carbon dioxide)
- ▷ Designed to stack machines on two levels for space efficiency
- ▷ Detachable wheels for convenient moving



Smart GUI



7-inch touch screen for ease-of-use and operation

Based on the needs and requirements of real veterinary professionals



Reflects veterinarian's opinions taken at the product concept, leading to optimized design for actual medical situations

IR, Internal light, UVC Lamp



Built-in 3 different kinds of lamps not only to brighten inside of the machine(LED Lamp), but to have infrared heat function and to have UVC disinfection system

Hand Access



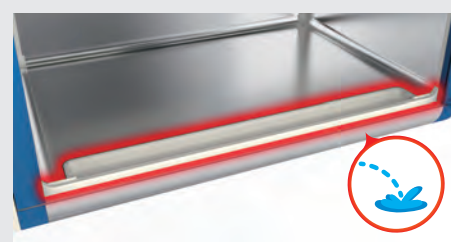
Hand access to enable pet treatment without opening a window

Stainless Steel Chamber



Stainless chamber to enhance durability and sanitation management

Waste Tray



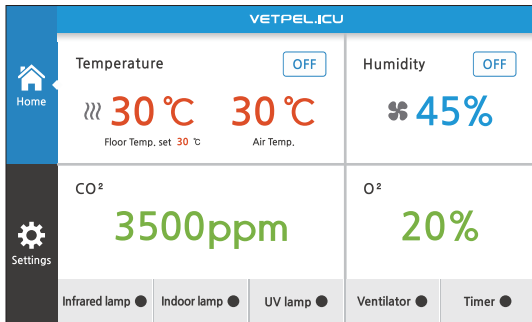
Waste tray for easy animal waste removal

VETPEL has become a lifeline in my practice

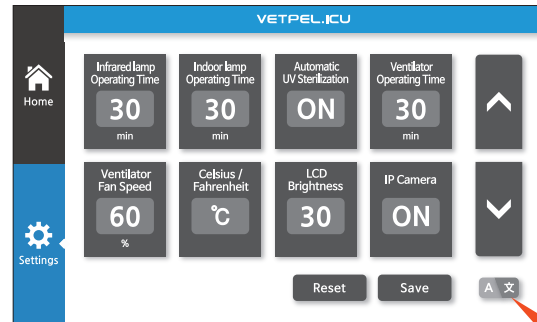
The technology carving out a future



LCD DISPLAY



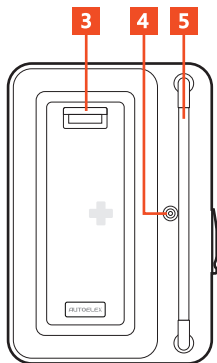
Home (Based on UX-U900 model)
7-inch big LCD, for easy and precise control



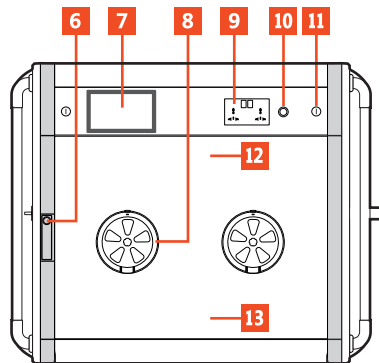
Setting (Based on UX-U900 model)
NEW interface where you can easily control every function

Language settings

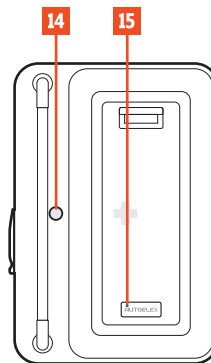
IDENTIFICATION OF PARTS



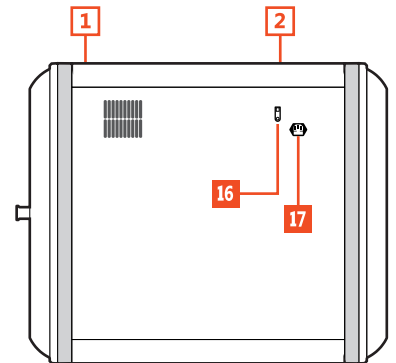
Left side



Front side



Right side



Back side

- 1 IV stand holder hole (top)
- 2 Upper side maintenance lever – both sides
- 3 Handle – both side
- 4 Hole to link with oxygen tank
- 5 Stand Pole (holder for peripherals) – both sides
- 6 Door locks
- 7 LCD touch screen
- 8 Hand access window
- 9 Exteral outlet (2 outlets)
※ Its shape depends on specfications for each country.
- 10 Power button
- 11 Front maintenance lever – both sides
- 12 Internal: IR, internal, and UVC lamps, IPcamera
- 13 Internal: chamber, Waste Tray
- 14 Power panel of humidifier
- 15 Power panel of humidifier
- 16 Leakage circuit breaker
- 17 Power input socket

INTERIOR



LCD Touch Screen



Hand Access Window



Connecting Hole For Oxygen Tank



Built-in Control Module



Stainless Steel Chamber



Safety Lock System



Stand Pole



Outlet Socker



LED Lamp



IR Lamp



UVC Lamp



Handle

▼ Nebulizer, oxygen tank can be used with our goods (Optional)



VETPEL offers the best in luxury and practicality for your business.

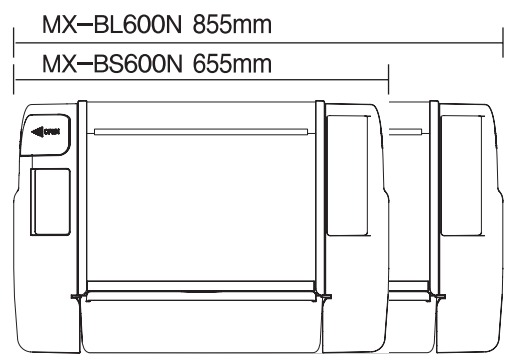


VETPEL & PET Brooder(MX-BL600N model) Image



VETPEL Stack-up Image

※ For safety reasons, we recommend a maximum stacking height of 2x VETPEL units.



Pet Brooder & ICU have two different sizes.

VETPEL SPECIFICATION

Model No.	UX-U900	PX-U900	MX-U900
Display	LCD (Touch Screen)	LCD (Touch Screen)	FND
Power	AC 100 ~ 120[V] / 220 ~ 240[V] 50/60[Hz]		
Power Consumption	Average. 95[W]	Average: 90[W]	Average: 85[W]
Controllable temperature range	MAX. 50[°C] MAX. 122[°F]	MAX. 50[°C] MAX. 122[°F]	MAX. 50[°C] MAX. 122[°F]
Temperature of external environment	Optimum range 20 ~ 25[°C] 68 ~ 77[°F]		
Controllable humidity range	MAX. 70[%]		
Humidity of external environment	MAX. 60[%]		
Controllable oxygen concentration range	MAX. 40[%]	X	X
Controllable carbon dioxide range	MAX. 4000[ppm]	MAX. 4000[ppm]	X
Weight	57[kg] (N.W.) 63[kg] (G.W)	56[kg] (N.W.) 62[kg] (G.W)	55[kg] (N.W.) 61[kg] (G.W)
Size	External	W 916 x L 532 x H 768[mm]	
	Internal	-with installation of rotation wheel H 832[mm] W 692 x L 470 x H494[mm]	



▲ MX-BS600N / MX-BL600N

Rcom Pet Brooder&ICU

Consists of several functions suitable for both home and veterinary treatment of pets. You can set the optimal recovery environment according to pet's health condition.

Basic specification *Option: Nebulizer	FND Display	Air filter
	Automatic temp. setting Function	Anion function [odor remove]
	Automatic Humi. setting Function	Water pump
	LED Lamp	Micro processor controller
	Tray	PTC Heater
	Air ventilation + Humidification fan	View window

R.COM VETPEL.ICU Model

Available for optimal environment settings depending on pet's condition

Function / Model No.	PRO+ (UX-U900)	PRO (PX-U900)	MAX (MX-U900)
Display	LCD (Touch)	LCD (Touch)	FND
Air temperature indicator	O	O	X
Floor temperature indicator and 3 ways of heating (PRO+ Range: MAX. 50°C / PRO, MAX Range: MAX. 50°C)	O	O	O
Floor Cooling System (Range: MAX. 50°C)	O	X	X
Oxygen concentration indicator (Range: MAX. 40%)	O	X	X
IP Camera	O	X	X
Carbon dioxide indicator and automatic carbon dioxide emission (Range: MAX. 4000ppm)	O	O	X
Automatic humidity emission	O	O	O
Humidity system (Display Range: MAX. 70%)	O	O	O
Treatment time settings and alarm function (Range: 0~24Hour, 1minute unit)	O	O	X
Control Fan speed (Range: 40~100%)	O	O	X
Alarm for high concentration of carbon dioxide	O	O	X
Alarm for abnormal high temperature	O	O	X
Multi-language display and controls (English, German, Spanish, Portuguese, Russian, Korean, Chinese, Japanese, Arabic)	O	O	X
IV stand holder hole	O	O	X
UVC Lamp	O	O	X
IR Lamp	O	O	O
LED Lamp	O	O	O
Ventilation device	Automatic	Automatic	semi- automatic
Waste Tray	O	O	O
Stand Pole to easily install various devices	O	O	O
Stand Pole to easily install various devices	O	O	O
Hand access window	O	O	O
External outlet (2 outlets)	O	O	O
Air filter	O	O	O
Leakage circuit breaker	O	O	O
Fixed rubber feet	O	O	O
Rotary wheel	O	O	Option